



# MB40-VL

## Linux-Based Hybrid Biometric Time & Attendance and Access Control Terminal with Visible Light Facial Recognition



MB40-VL is a multi-biometric identification terminal featuring ZKTeco's innovative Visible Light Facial Recognition technology.

With the latest algorithm and facial recognition related technologies, the device can perform recognition of a target in a distance from 0.3m to 2m and will function automatically when it detects a face in the detection distance so as to deliver higher recognition quality in terms of speed and accuracy than the previous near infrared facial recognition terminal.

With the applied Deep Learning algorithm, pose angle tolerance and anti-spoofing have been greatly enhanced against dynamic environment and various spoofing attacks. Apart from all these, together with the world's cutting-edge 3D Neuron Fingerprint Algorithm and comprehensive support in mainstream card modules and additional support in WiFi, MB40-VL must be a best fit in various working environments satisfying different customer's needs.

### Features

- Visible Light Facial Recognition
- Anti-spoofing algorithm against print attack (laser, color and B/W photos), videos attack and 3D mask attack
- Multiple verification methods: Face / Fingerprint / Card / Password
- Optional card modules: 125KHz ID Card (EM) / 13.56MHz IC Card
- Supplement lighting with adjustable brightness

### Visible Light Facial Recognition Embedded



Proactive Facial Recognition



New Height of Anti-Spoofing



Speedy Recognition



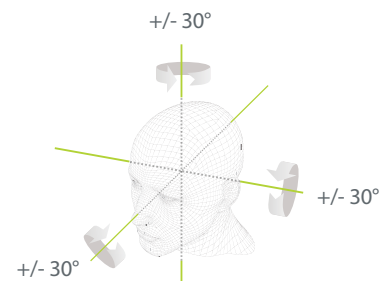
Wide Pose Angle Acceptance



Touchless for Better Hygiene

### Recognition distance 2m long and extra wide angle recognition

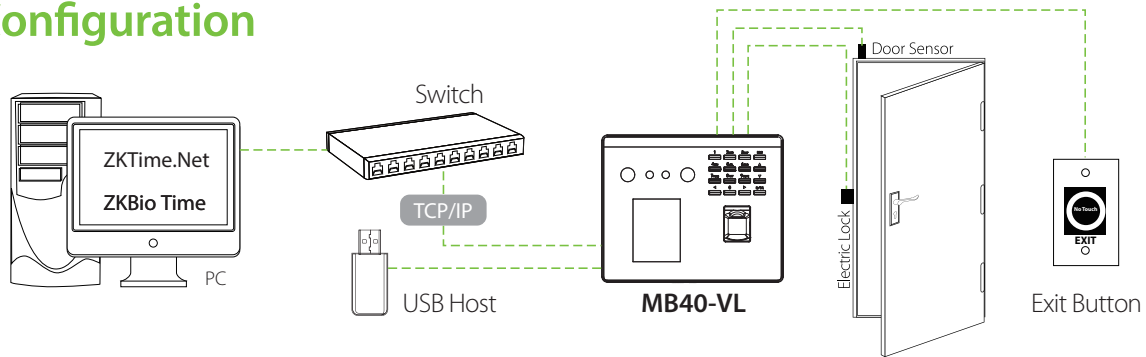
The recognition distance has been greatly extended to 2m meters long, which significantly improves maximum traffic rate. While most of the algorithms only support +/-15° of detectable face angle, MB40-VL doubles the detection angle in terms of head rotation and tilt to +/- 30°.



# Specifications

Display	2.8-inch TFT Screen
Face Capacity	3,000
Fingerprint Capacity	3,000
Card Capacity	10,000
Transactions	100,000
Communication	TCP/IP, WiFi (Optional), USB Host
Standard Functions	ADMS, Work Code, DST, Self-service Query, Automatic Status Switch, T9 Input, Photo ID, Masks Detection, Camera, 14-digit User ID, Multiple Verify Modes, Schedule Bell
Hardware	900MHZ Dual Core CPU; Memory 512MB RAM / 8G ROM; 2MP WDR Low Light Camera; Adjustable LED Supplement Lighting;
Operation System	Linux
Access Control Interface	3rd Party Electric Lock, Door Sensor, Exit Button
Optional Functions	125KHz ID Card (EM) / 13.56MHz IC Card
Biometrics Algorithms	ZKFace V3.9 & ZKFinger V10.0
Facial Recongntion Speed	≤1s
Power Supply	12V 1.5A
Working Humidity	20% - 80%
Working Temperature	0 °C - 45 °C
Dimensions (W*H*D)	170 * 138 * 38.55 (mm)
Supported Softwares	ZKTime.Net, ZKBio Time

# Configuration



# Dimensions (mm)

